

Kessil LED PhotoReaction Lighting

PR300 VS PR160L



15X
Throughput

5X
Coverage

3X
Intensity/vial



PR300

Brighter. Wider.

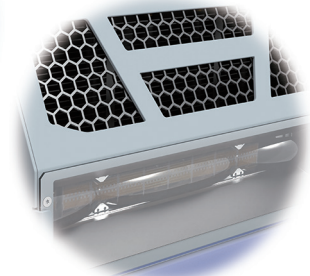
High-performance design with maximum light and coverage

Highest Intensity & Coverage

- ▶ 3X more irradiance per vial and 5X larger coverage
- ▶ 15X higher throughput compared to the popular PR160L

Programmable

- ▶ Run, Store, Edit programs directly on PR300 fixture or through PC software
- ▶ Sync multiple PR300 units to increase intensity and scale up experiments
- ▶ View logs and history



Consistent & Reliable

- ▶ Precise activation wavelengths available in 427nm, 440nm, 456nm, 467nm, 525nm. Please contact us for customized solutions
- ▶ Narrow spectrum to optimize photocatalytic reactions, avoid unwanted side reactions, and save time and cost
- ▶ Consistency between every unit to ensure reliability and reproducibility (peak wavelength within $\pm 1\text{nm}^*$ and optical output within 3%*)

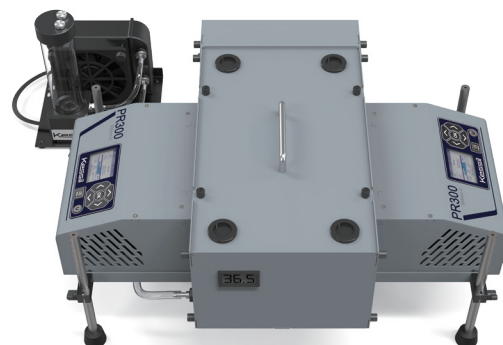
*Standard Deviation

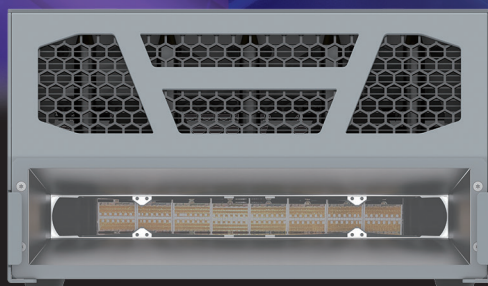
Flexibility & Safety

- ▶ Accommodates different configurations (vials, test tubes, flasks, coiled tubing, etc...)
- ▶ Easy to operate and mount with PR300 Shielding Box

Specifications

Power Consumption	MAX 340W
Input Voltage	100-240 VAC
Irradiation Distance	20mm - 50mm
Wavelength Options	427nm, 440nm, 456nm, 467nm, 525nm
Average Intensity of PR300 series (Protective Glass as starting point)	442 mW/cm ² measured at 12mm 407 mW/cm ² measured at 20mm
Dimensions (W x L x H)	7.9" x 9.3" x 4.5" 20.0cm x 23.6cm x 11.5cm

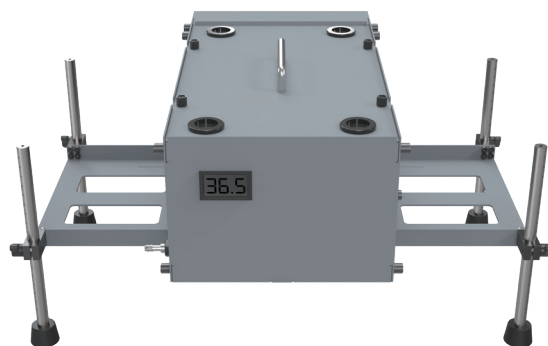




PR300 Shielding Box

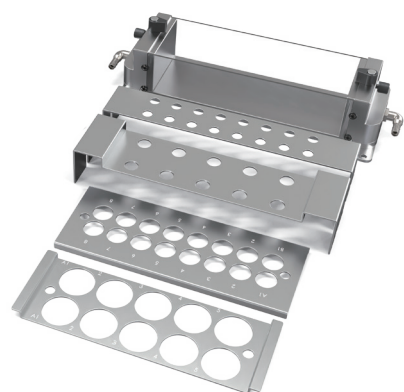
- ▶ Holds up to 2x PR300 lamps for higher screening efficiency and scaled-up synthesis
- ▶ Provides safety shielding and protection from intense light
- ▶ Contains a real-time temperature monitoring probe, a powerful cooling fan and feedthrough for probes or liquid/gas lines

Part Number	KSPRSB01
Weight	7.1lb / 3.2kg
Dimensions (W x L x H)	18.2" x 20.1" x 5.7" / 46.3cm x 51.0cm x 14.6cm
Components	PR300 Shielding Box (x1) Adapter DC12V2A (x1)



PR300 Water Cooling System

- ▶ Efficiently control temperature of reaction vessels to prevent unwanted thermal reactions
- ▶ Able to maintain room temperature in most cases
- ▶ Vial holders support 16x 8mL vials or 10x 20mL vials
- ▶ Two cooling configurations: (1) Air cooling with the provided fan (2) Water cooling with the radiator submerged in ice bath



Part Number	KSPRWC01	
Weight	4.85lb / 2.2kg	
Dimensions (W x L x H)	Tank: 11.0" x 4.0" x 2.8" 28.0cm x 10.2cm x 7.1cm	Pump/Fan/Radiator Assembly: 7.4" x 6.2" x 8.2" 18.8cm x 15.7cm x 20.8cm
Components	Tank (x1) Pump/Fan/Radiator Assembly (x1) 8mL Vial Holder (x2) 20mL Vial Holder (x2) 4m Water Hoses (x1)	Water Hose Connector (x4) Adapter DC12V2A (x1) DC Power 1 Female to 3 Male (5.5mm x 2.1mm) Y Splitter Extension Cable (x1)